

PARTS CATALOGUE FOR

XL 5300	XL 5030	XL 5031
XL 5200	XL 5020	XL 5021
XL 5100	XL 5010	XL 5011

PX 300

PX 200

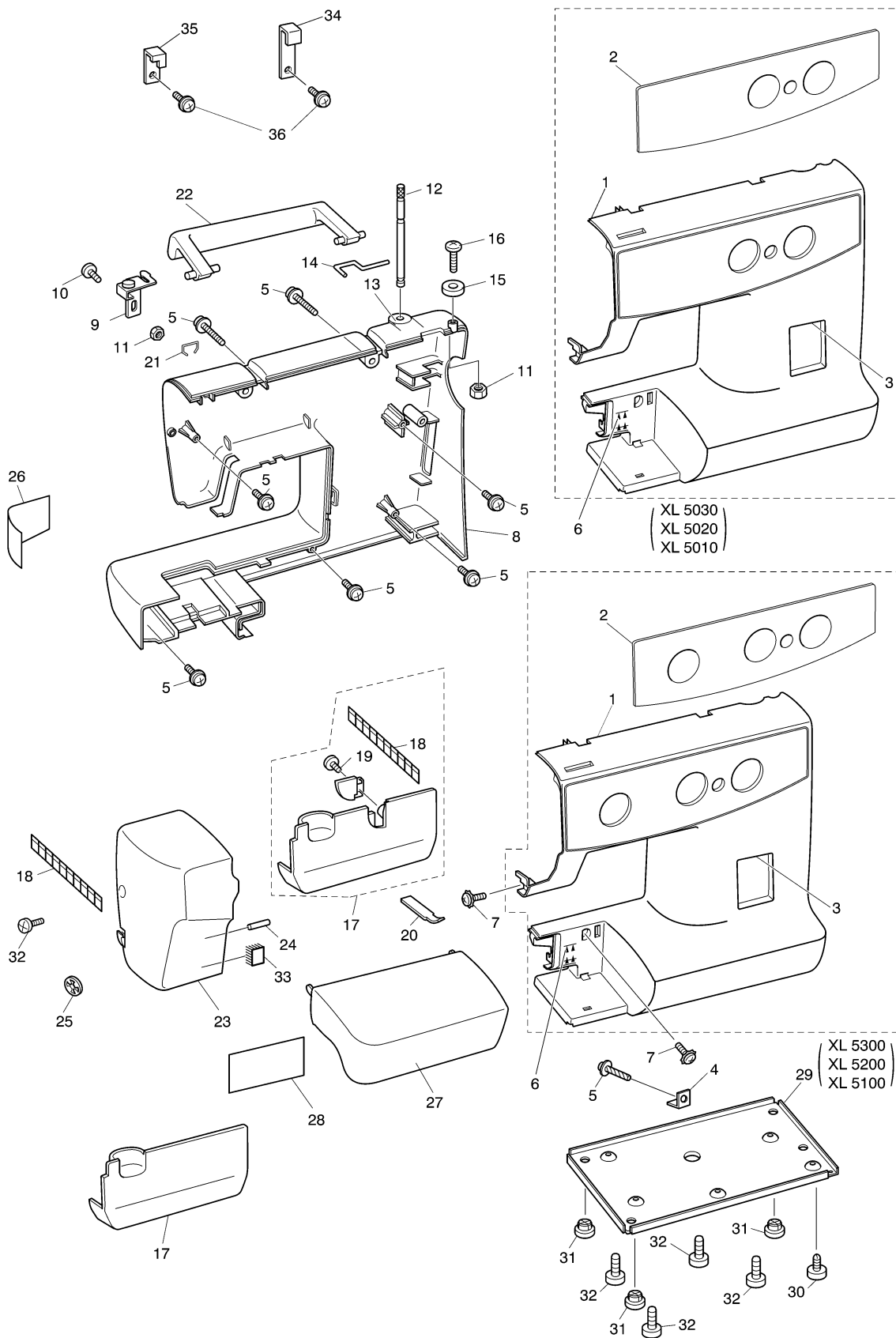
PX 100

CONTENTS

(1) PRINCIPAL PARTS (XL Series)	2
PRINCIPAL PARTS (PX Series)	4
(2) UPPER SHAFT AND NEEDLE BAR	6
(3) FEED MECHANISM	8
(4) SHUTTLE HOOK AND REVERSE SEWING MECHANISM	10
(5) PATTERN SELECTION MECHANISM.....	12
(6) UPPER TENSION, LAMP, MOTOR UNIT.....	14
(7) ACCESSORY	16

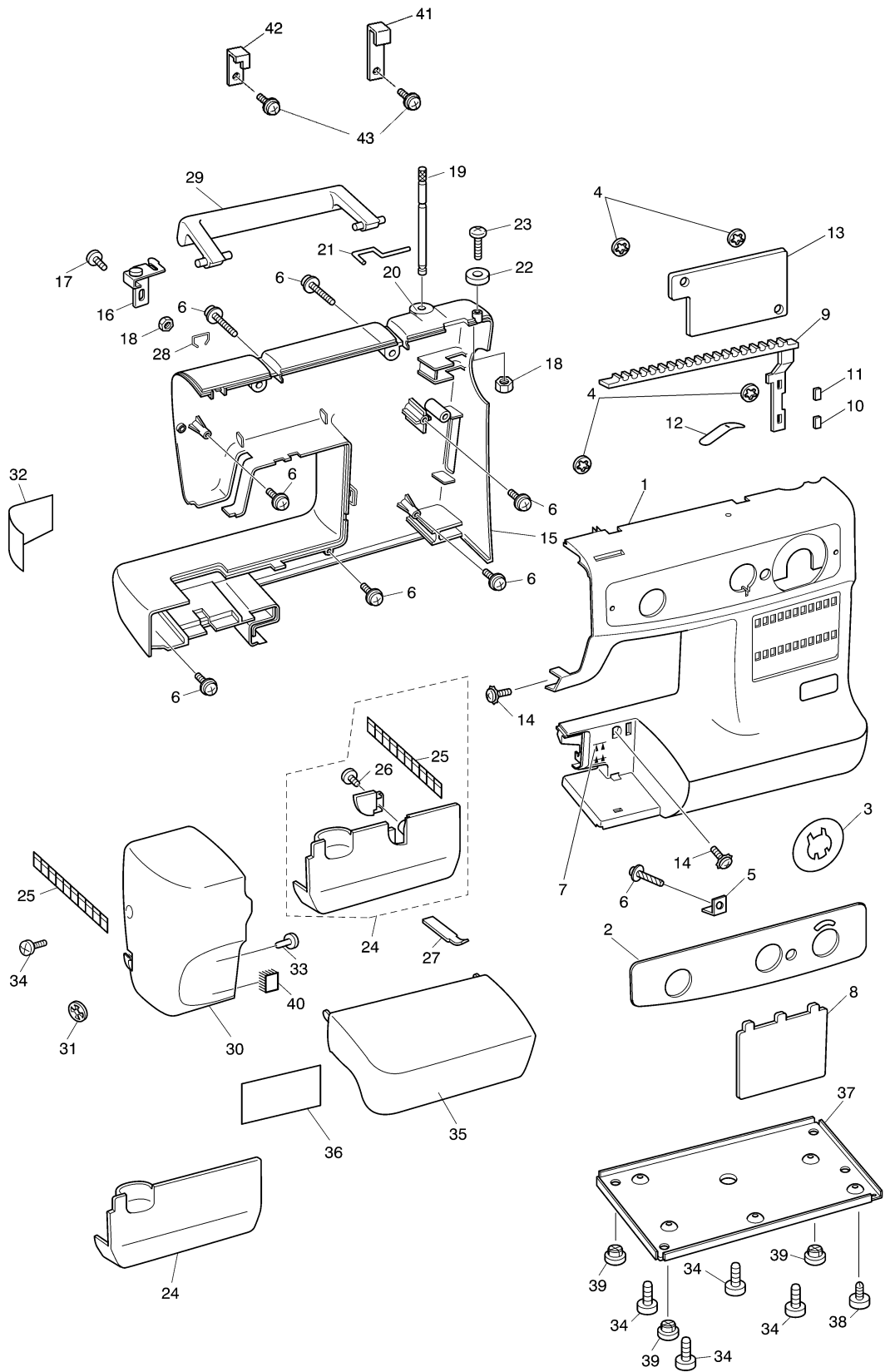
(1) PRINCIPAL PARTS (XL Series)

No.	PARTS No.	PARTS NAME	REMARKS	No.	PARTS No.	PARTS NAME	REMARKS
1	XA5721021	Front cover (XL5300)		30	XA4687051	Adjusting screw ASSY	
	XA5721023	Front cover (XL5200)		31	XA1805050	Rubber cushion	
	XA5721022	Front cover (XL5100)		32	060400816	Screw	
	XA6009021	Front cover (XL5030)		33	XA6661051	Pile	
Front cover (XL5020)			34	XA8476020	Handle holder XR	ADD	
Front cover (XL5010)			35	XA8477020	Handle holder XL	ADD	
2	XA5739021	Decoration plate (XL5300)		36	XA3337051	Screw	ADD
	XA5739023	Decoration plate (XL5200)		New Spec			
	XA5739022	Decoration plate (XL5100)		2	XA5739026	Decoration plate (XL5130)	ADD
	XA6010021	Decoration plate (XL5030)			XA5739025	Decoration plate (XL5232)	ADD
	XA6010022	Decoration plate (XL5020)					
	XA6010023	Decoration plate (XL5010)					
	XA6010029	Decoration plate (XL5031)					
	XA6010028	Decoration plate (XL5021)					
	XA6010027	Decoration plate (XL5011)					
3	XA4657051	Cushion					
4	XA5732021	Bottom hold plate					
5	XA3337051	Screw					
6	XA6583021	Drop Sheet					
7	053400806	Screw					
8	XA5723121	Rear cover (Brother)	CHG				
	XA5723122	Rear cover	CHG				
9	XA6106051	Thread guide ASSY					
10	0A5301006	Screw					
11	021300106	Nut					
12	188058151	Spool pin					
13	XA4441021	Spool pin stand					
14	XA0628021	Spool pin spring					
15	X59864151	Bobbin presser					
16	052301606	Screw					
17	XA5724021	Hinge door ASSY (thread cutter)					
	XA5963021	Hinge door					
18	X80321051	NT thread cutter ASSY					
19	136681051	Screw					
20	X53638151	Plate spring					
21	X53625121	Thread guide					
22	XA5726151	Carrying handle	CHG				
23	XA5728121	Face plate	CHG				
24	0A0211850	Spring pin					
25	138384021	Stop ring					
26	XA4468021	Rear cover reflector					
27	XA5730021	Accessory table	CHG				
28	XA5731121	Accessory table cover	CHG				
29	XA4569020	Base plate					



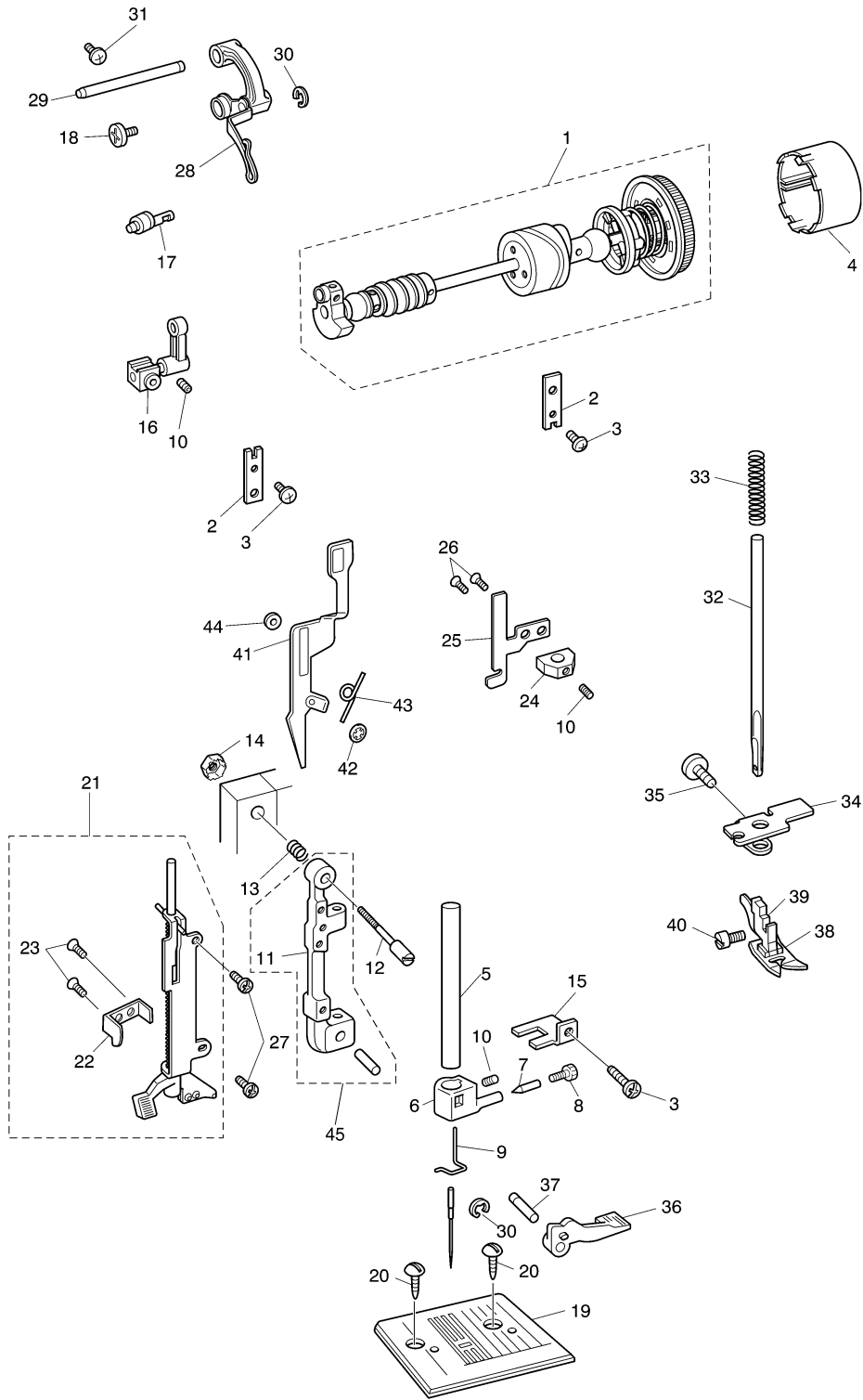
(1) PRINCIPAL PARTS (PX Series)

No.	PARTS No.	PARTS NAME	REMARKS	No.	PARTS No.	PARTS NAME	REMARKS
1	XA6356021	Front cover (PX300, 200)		21	XA0628021	Spool pin spring	
	XA6393021	Front cover (PX100)		22	X59864151	Bobbin presser	
2	XA6357021	Panel decoration plate (PX300)		23	052301606	Screw	
	XA6357023	Panel decoration plate (PX200)		24	XA5724021	Hinge door ASSY (Thread cutter)	
	XA6357024	Panel decoration plate (PX100)			XA5963021	Hinge door	
	XA6357025	Panel decoration plate (PX300, U.S.A.)		25	X80321051	NT Thread cutter ASSY	
	XA6357026	Panel decoration plate (PX200, U.S.A.)		26	136681051	Screw	
	XA6357027	Panel decoration plate (PX100, U.S.A.)		27	X53638151	Plate spring	
3	XA6358021	Feed decoration plate		28	X53625121	Thread guide	
4	146200051	Stop ring		29	XA5726151	Carrying handle	CHG
5	XA5732021	Bottom hold plate		30	XA6365121	Face plate	CHG
6	XA3337051	screw		31	138384021	Stop ring	
7	XA6583021	Drop sheet		32	XA4468021	Rear cover reflector	
8	XA6359021	Pattern decoration plate (PX300)		33	X51895051	Face plate bush	
	XA6392021	Pattern decoration plate (PX200)		34	060400816	Screw	
	XA6394021	Pattern decoration plate (PX100)		35	XA5730021	Accessory table	
	XA6359022	Pattern decoration plate (PX300, U.S.A.)		36	XA5731121	Accessory table cover	CHG
	XA6359023	Pattern decoration plate (PX300, Chile)		37	XA4569020	Base plate	
	XA6392022	Pattern decoration plate (PX200, U.S.A.)		38	XA4687051	Adjusting screw ASSY	
	XA6392023	Pattern decoration plate (PX200, Chile)		39	XA1805050	Rubber cushion	
	XA6394022	Pattern decoration plate (PX100, U.S.A.)		40	X52654001	Pile 19×6×6	
	XA6394023	Pattern decoration plate (PX100, Chile)		41	XA8476020	Handle holder XR	ADD
				42	XA8477020	Handle holder XL	ADD
9	XA6360021	Pattern display rack		43	XA3337051	Screw	ADD
10	XA6361021	Display plate					
11	XA6361022	Display plate					
12	XA6362020	Rack plate spring					
13	XA6363021	Display rear plate					
14	053400806	Screw					
15	XA5723121	Rear cover (Brother)	CHG				
	XA5723122	Rear cover	CHG				
16	XA6106051	Thread guide ASSY					
17	0A5301006	Screw					
18	021300106	Nut					
19	188058151	Spool pin					
20	XA4441021	Spool pin stand					



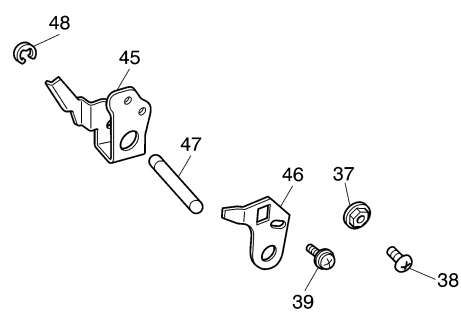
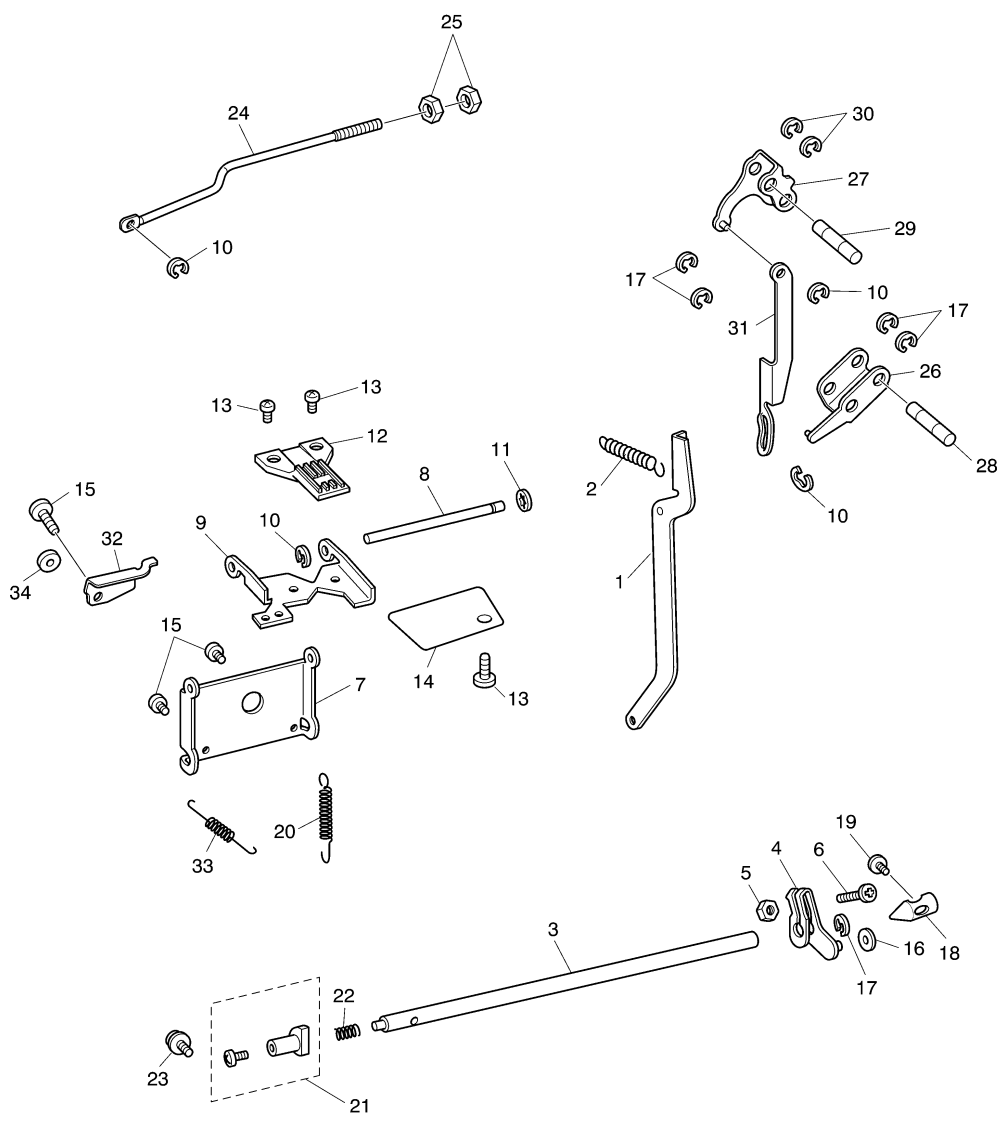
(2) UPPER SHAFT AND NEEDLE BAR

No.	PARTS No.	PARTS NAME	REMARKS	No.	PARTS No.	PARTS NAME	REMARKS
1	XA3948021	Upper shaft ASSY		45	XA8379021	Needle bar supporter ASSY	ADD
2	X52478051	Bushing presser					
3	X57908051	Screw					
4	XA0639021	Pulley					
5	XA2358051	Needle bar					
6	XZ0001051	Needle clamp					
7	XA5718051	Needle clamp pin	CHG				
8	XZ0002051	Needle clamp screw					
9	XZ0005050	Needle bar thread guide					
10	012400432	Screw					
11	XA3952250	Needle bar supporter	CHG				
12	XA3477051	Needle bar supporter stud					
13	X54369021	Spring					
14	X56851051	Locknut					
15	XA8380051	Needle bar supporter guide	CHG				
16	XA1289051	Needle bar crank rod ASSY					
17	X59115151	Needle bar crank					
18	132051052	Screw					
19	XA3954051	Zigzag Needle plate					
20	X50487051	Screw					
21	XA5535021	Needle threader supporter ASSY					
22	XA0445101	Threader hook ASSY					
23	037200416	Screw					
24	XA2367050	Needle threader position setter					
25	XA0430051	Needle threader position setter					
26	004260405	Screw					
27	060400616	Screw					
28	XA4747051	Thread take-up					
29	XA4585021	Thread take-up lever stud					
30	048050346	Stop ring					
31	XA0649051	Screw					
32	XA2402050	Presser bar					
33	X55770051	Presser bar spring					
34	XA3955021	Presser bar guide bracket					
35	X52760051	Screw					
36	XA2511151	Presser foot lifter					
37	XA0977150	Stud for presser foot lifter					
38	138135052	Zigzag presser					
39	138134051	Presser holder					
40	132730151	Screw					
41	XA5796021	Tension release plate C					
42	120454051	Stop ring					
43	XA5797051	Spring					
44	025030236	Washer					

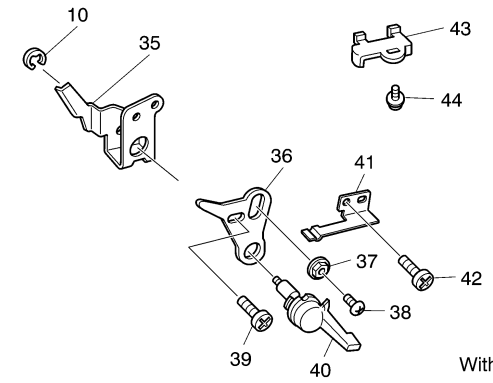


(3) FEED MECHANISM

No.	PARTS No.	PARTS NAME	REMARKS	No.	PARTS No.	PARTS NAME	REMARKS
1	XA0978051	Feed rod ASSY		45	XA3480021	Vertical feed arm	
2	XA0980021	Spring		46	XA3481021	Vertical feed adjuster	
3	XA3958020	Horizontal feed shaft		47	XA0995151	Vertical feed shaft	
4	XA0983151	Horizontal feed arm ASSY		48	048060346	Stop ring	
5	021400205	Nut					
6	060401416	Screw					
7	XA0987021	Horizontal feed plate					
8	XA0988021	Feed stand shaft					
9	XA3960021	Feed stand					
10	048030346	Stop ring					
11	146200021	Stop ring					
12	XA4430051	Feed dog					
13	060300416	Screw					
14	XA3474021	Dust protect plate					
15	060400816	Screw					
16	X53330050	Washer					
17	048050346	Stop ring					
18	XA1082051	Taper point stud R					
19	X57913051	Screw					
20	XA0991021	Spring					
21	X55472051	Taper point stud L ASSY					
22	X56613051	Spring					
23	XA0649051	Screw					
24	XA3962021	SS connecting rod					
25	X56960051	Nut					
26	XA3082021	SS change lever sub ASSY					
27	XA3085021	SS Feed lever ASSY					
28	XA3087021	SS Feed lever shaft					
29	XA3080021	SS adjusting shaft					
30	048040346	Stop ring					
31	XA3088021	SS Feed supporter					
32	XA4042020	Feed stand supporter					
33	XA4692051	Spring					
34	025040133	Washer					
35	XA1504021	Vertical feed arm					
36	XA1660021	Vertical feed adjuster					
37	X50559050	Zigzag nut					
38	062300806	Screw					
39	060400516	Screw					
40	XA1505051	Drop lever					
41	XA1659021	Spring					
42	X57908051	Screw					
43	XA2338021	Drop stopper					
44	052401406	Screw					



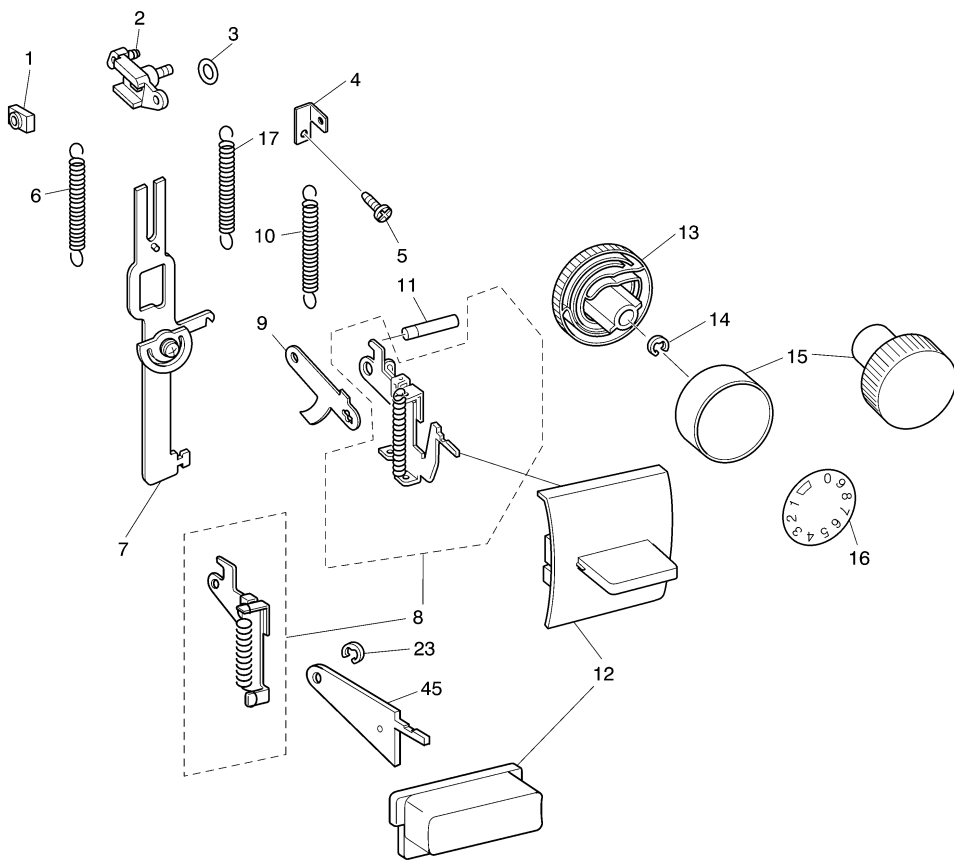
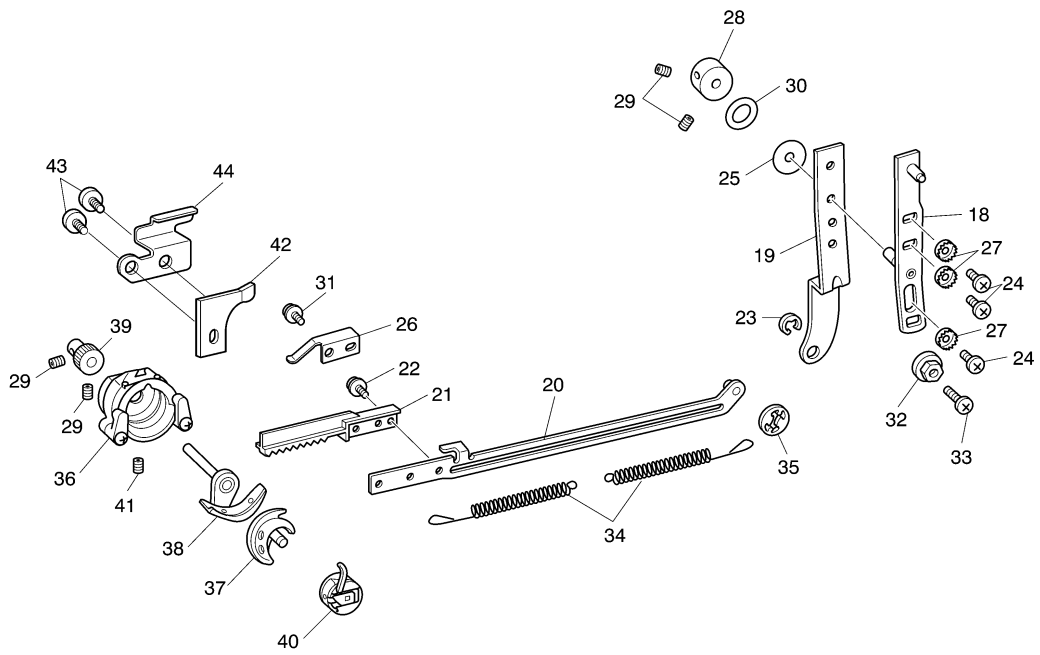
Without drop



With drop

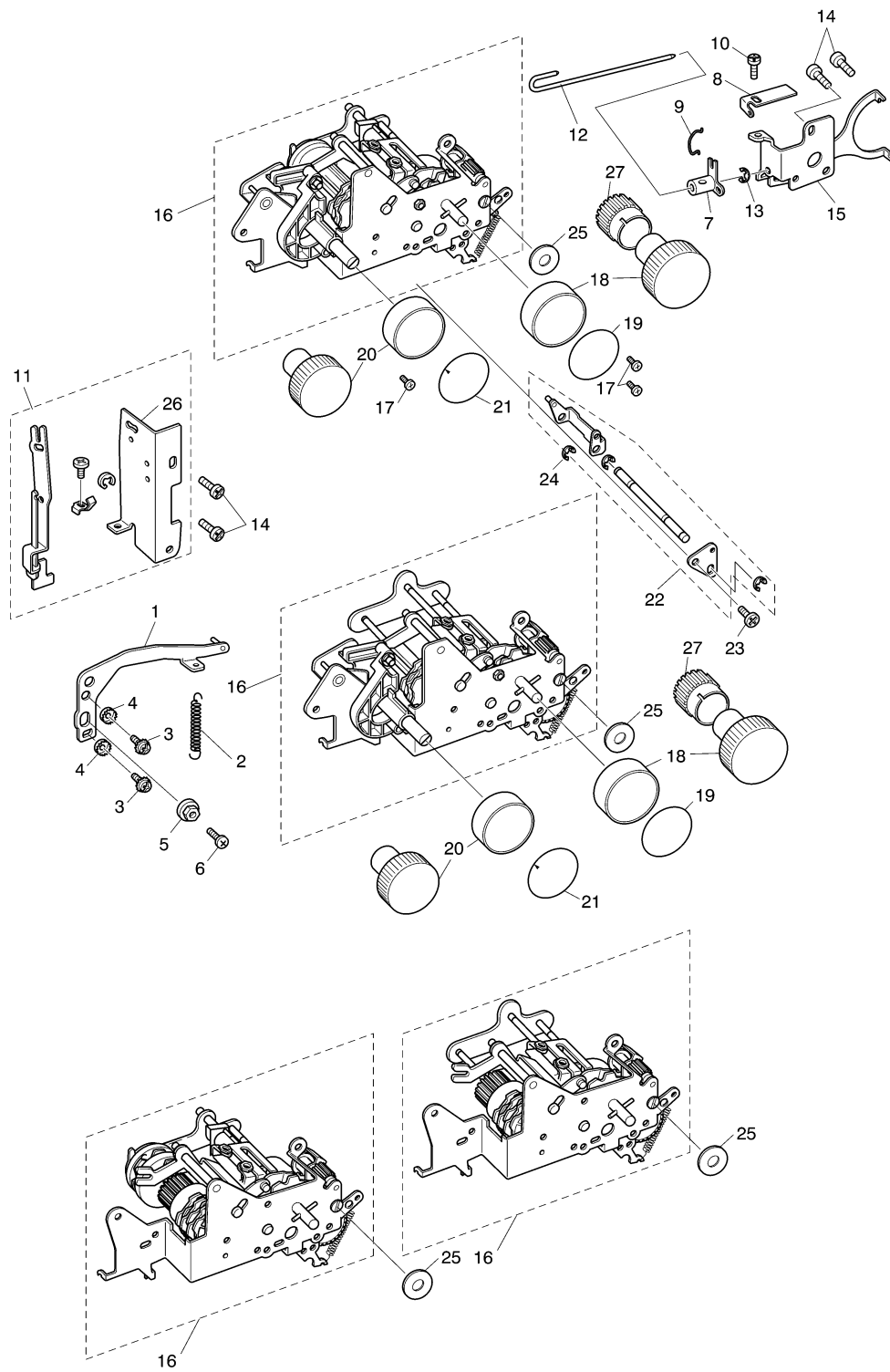
(4) SHUTTLE HOOK AND REVERSE SEWING MECHANISM

No.	PARTS No.	PARTS NAME	REMARKS	No.	PARTS No.	PARTS NAME	REMARKS
1	XA0030051	Slide block		35	146200051	Stop ring	
2	XA3089051	Feed regulator ASSY		36	XA1317051	Shuttle race ASSY	
3	XA5333050	Washer		37	128581053	Shuttle hook	
4	XA4534021	Stop plate L		38	XA1021051	Shuttle driver ASSY	
5	X57913051	Screw		39	XA1025051	Driver shaft gear	
6	XA0998021	Spring		40	128582053	Bobbin case	
7	XA3092021	Feed regulator ASSY		41	014400632	Screw	
8	XA4343021	Reverse sewing lever plate ASSY (XL Series)		42	X57313151	Rack stopper	
	XA6366021	Reverse sewing lever plate ASSY (PX Series)		43	X57908051	Screw	
9	XA4532121	Reverse sewing lever plate		44	XA5702021	Rack stopper A	
10	XA4675051	Spring		45	XA6582021	Reverse button holder D (PX Series)	
11	XA1004150	Reverse sewing shaft					
12	XA5733021	Reverse sewing lever (XL Series)					
	XA6369021	Reverse sewing button (PX Series)					
13	XA6015051	Feed regulator cam					
14	048050346	Stop ring					
	XA5734021	Dial (XL Series)					
15	XA6370021	Feed dial (PX Series)					
	XA5735021	Dial sheet (XL5300, XL5030)					
16	XA5735024	Dial sheet (XL5200, XL5020)					
	XA5735025	Dial sheet (XL5100, XL5010)					
	XA5735030	Dial sheet (XL5031)					
	XA5735029	Dial sheet (XL5021)					
	XA5735028	Dial sheet (XL5011)					
17	XA3099051	Spring					
18	XA4693151	Cam drive connecting A ASSY					
19	XA1012251	Cam drive connecting rod B					
20	XA3969021	Cam drive connecting rod C					
21	XA1017120	Rack					
22	052300606	Screw					
23	048040346	Stop ring					
24	060400816	Screw					
25	131976050	Thrust washer					
26	XA1019021	Rack plate spring					
27	027040226	Toothed washer					
28	X52077151	Collar					
29	014400432	Screw					
30	X53330050	Washer					
31	X57884051	Screw					
32	X50559051	Nut					
33	062301006	Screw					
34	XA3439051	Cam drive connecting rod spring					



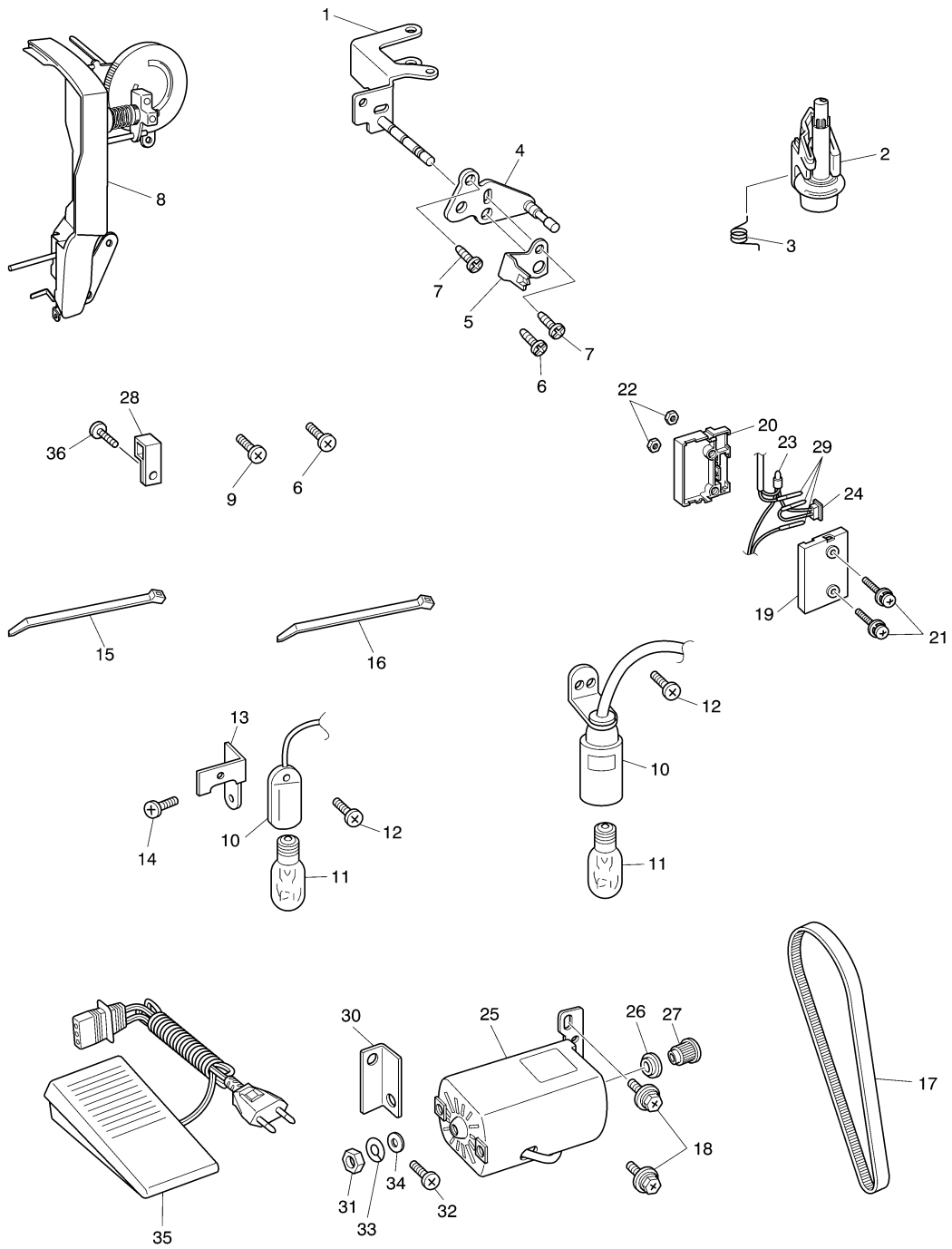
(5) PATTERN SELECTION MECHANISM

No.	PARTS No.	PARTS NAME	REMARKS	No.	PARTS No.	PARTS NAME	REMARKS
1	XA3971051	Zigzag connecting rod (XL5300, XL5200, XL5100, PX300 PX200, PX100)		16	XA6034021	Pattern selection unit ASSY (XL5200, PX200)	
	XA4466051	Zigzag connecting rod (XL5030, XL5020, XL5010)			XA6004021	Pattern selection unit ASSY (XL5100, PX100)	
2	XA3143051	Zigzag connecting rod spring (XL5300, XL5200, XL5100, PX300 PX200, PX100)			XA6011021	Pattern selection unit ASSY (XL5030)	
	XZ0024051	Zigzag connecting rod spring (XL5030, XL5020, XL5010)			XA6033021	Pattern selection unit ASSY (XL5020)	
3	060400816	Screw			XA6013021	Pattern selection unit ASSY (XL5010)	
4	027040226	Toothed washer		17	X57908051	Screw	
5	X50559051	Nut		18	XA5736021	Pattern selection dial (XL Series)	
6	062301006	Screw			XA6371021	Pattern selection dial (PX Series)	
7	XZ0021051	BH change arm ASSY (XL5300, XL5200, XL5030, XL5020 PX300, PX200)		19	XA6003021	Dial sheet (XL5300)	
8	XA3972021	BH notched spring plate (XL5300, XL5200, XL5030, XL5020 PX300, PX200)			XA6003026	Dial sheet (XL5200)	
	9	136997051	BH notched spring (XL5300, XL5200, XL5030, XL5020 PX300, PX200)			XA6003022	Dial sheet (XL5100)
10	060400816	Screw (XL5300, XL5200, XL5030, XL5020 PX300, PX200)			XA6003023	Dial sheet (XL5030)	
	11	XA5812051	BH lever hold plate ASSY (XL5300, XL5200, XL5030, XL5020 PX300, PX200)			XA6003024	Dial sheet (XL5020)
12	XA3978051	BH change shaft (XL5300, XL5200, XL5030, XL5020 PX300, PX200)			XA6003025	Dial sheet (XL5010)	
13	048025346	Stop ring (XL5300, XL5200, XL5030, XL5020 PX300, PX200)			XA6003032	Dial sheet (XL5031)	
	14	X57908051	Screw (XL5300, XL5200, XL5030, XL5020 PX300, PX200)			XA6003031	Dial sheet (XL5021)
15	XA3979051	BH stopper ASSY (XL5300, XL5200, XL5030, XL5020 PX300, PX200)		XA6003030	Dial sheet (XL5011)		
	16	XA5798021	Pattern selection unit ASSY (XL5300, PX300)		20	XA5734021	Dial (XL Series)
					XA6373021	Zigzag dial (PX Series)	
				21	XA5735022	Dial sheet	
				22	XA4025021	BH connecting link ASSY (XL5300, XL5200, XL5030, XL5020 PX300, PX200)	
					23	060400416	Screw
				24	048030346	Stop ring	
				25	XA4685051	BH knob spacer	
				26	XA5737051	BH lever hold plate	
				27	XA6372021	Pattern display change gear (PX Series)	
					XA6625021	Pattern display change gear (Wneedle PX Series)	



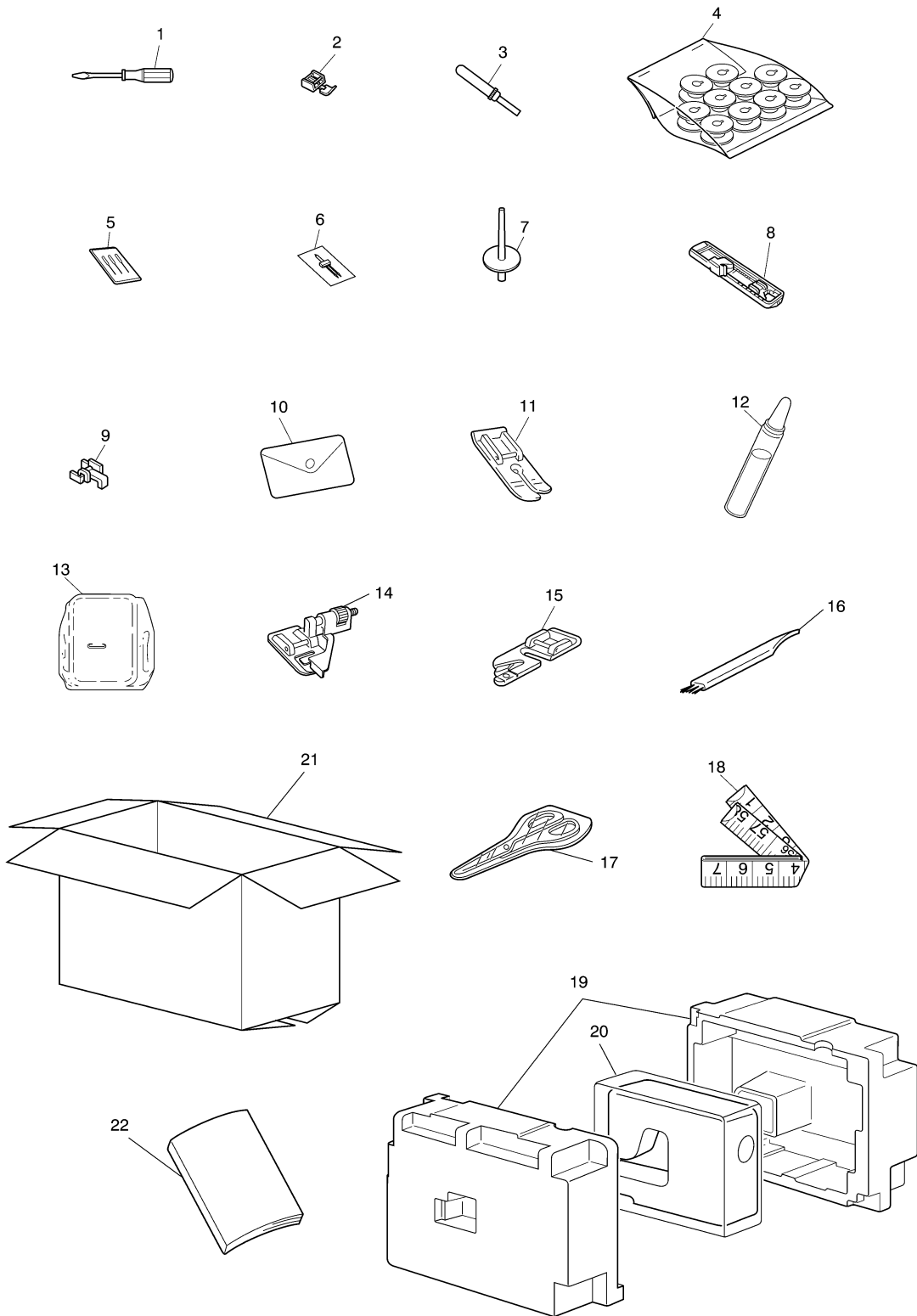
(6) UPPER TENSION, LAMP, MOTOR UNIT

No.	PARTS No.	PARTS NAME	REMARKS	No.	PARTS No.	PARTS NAME	REMARKS
1	XA3273051	Bobbin winder holder ASSY		36	X57908051	Screw	ADD
2	XA4032021	Bobbin winder spindle ASSY					
3	X59939021	Bobbin winder spring					
4	XA3133021	SS change holder ASSY					
5	XA3136021	F dial spring					
6	060400416	Screw					
7	X57913051	Screw					
8	XA5805021	Thread guard ASSY (XL Series)					
	XA6374021	Thread guard ASSY (PX)					
9	X57908051	Screw					
10	XA5018021	Sew-light ASSY (110 - 120V)					
	XA1064021	Sew-light ASSY (220 - 240V)					
11	X53061020	Sew-light bulb (110 - 120V)					
	205336020	Sew-light bulb (220 - 240V)					
12	X57984051	Screw (110 - 120V)					
	XA1623051	Screw (220 - 240V)					
13	XA4036021	Lamp holder (110 - 120V)					
14	060300616	Screw (110 - 120V)					
15	X53169050	Band					
16	X57398050	Band					
17	XA1196051	Timing belt					
18	XA3004051	Screw					
19	XA1068051	3P socket body					
20	XA1069151	3P socket cover					
21	052403006	Screw					
22	021400205	Nut					
23	214808050	Connector					
24	XA1070021	PW switch ASSY (110 - 120V)					
	XA1073021	PW switch ASSY (220 - 240V)					
25	XA1071151	Motor (120V)					
	XA1429051	Motor (220V)					
	XA1430051	Motor (230V)					
	XA1431051	Motor (240V)					
26	XA1265120	Timing belt pulley A					
27	XA1266120	Timing belt pulley B					
28	XA1074050	Cord guide					
29	138598051	Socket pin					
30	XA3461051	Motor supporter (120V)					
31	021400205	Nut (120V)					
32	X57908051	Screw (120V)					
33	028040242	Spring washer (120V)					
34	102707053	Washer (120V)					
35	X57319051	Foot controller (120V)					
	XA1668121	Foot controller (220 - 240V)					



(7) ACCESSORY

No.	PARTS No.	PARTS NAME	REMARKS	No.	PARTS No.	PARTS NAME	REMARKS	
1	X55467051	Screwdriver (M)		21	X61361021	Carton (XL5300)	CHG	
2	X59370051	Zipper foot			X61383023	Carton (XL5300: Color, U.S.A.)	CHG	
3	X54243001	Seam ripper			X61361029	Carton (PX100)	CHG	
4	XA5537051	Bobbin (with UPC)			X61361034	Carton (PX100: Chinese)	CHG	
	XA5539051	Bobbin (without UPC)	CHG		X61361028	Carton (PX200)	CHG	
5	129583001	Needle set			X61361035	Carton (PX200: Chinese)	CHG	
6	X57521001	Needle set T			X61361027	Carton (PX300)	CHG	
7	130920051	Extra spool pin			X61361036	Carton (PX300: Chinese)	CHG	
8	XA4911051	Buttonhole foot			22	194447011	Instruction manual (XL50** Eng. Sp. It.)	
	X59369251	Buttonhole foot (XL5100)				194447012	Instruction manual (XL50** Ger. Du. Fr.)	
9	X59375051	Button fitting foot		194447013		Instruction manual (XL50** Fin. Dan. Sw.)		
10	XA1363051	Accessory bag		194447014		Instruction manual (XL50** Eng. Ger. Rus.)		
11	XA6124001	Straight foot (with UPC)		194457011		Instruction manual (XL5*00. PX*00 Eng. Sp. It.)		
	XA6124002	Straight foot (without UPC)		194457012		Instruction manual (XL5*00. PX*00 Ger. Du. Fr.)		
12	X55465051	Oiler		194457013		Instruction manual (XL5*00. PX*00 Fin. Dan. Sw.)		
13	XA3442051	Feed dog cover		194457014		Instruction manual (XL5*00. PX*00 Eng. Ger. Rus.)		
14	XA7000001	Blind stitch foot (with UPC)						
	XA7000002	Blind stitch foot (without UPC)						
15	X81014001	Narrow hemmer foot (with UPC)						
	X81014002	Narrow hemmer foot (without UPC)						
16	X59476051	Cleaning brush						
17	XA5771051	Scissors						
18	XA5772051	Tape measure						
19	X61363021	457 SF ASSY	CHG					
	X61223021	467 SF ASSY	DEL					
20	X60439120	Bag 630x630						
21	X61361025	Carton (XL5010)	CHG					
	X61361030	Carton (XL5011)	CHG					
	X61361037	Carton (XL5010: MC does not appear on the carton)	CHG					
	X61361024	Carton (XL5020)	CHG					
	X61361031	Carton (XL5021)	CHG					
	X61361038	Carton (XL5020: MC does not appear on the carton)	CHG					
	X61361039	Carton (XL5020: Supplied by Brother)	CHG					
	X61361023	Carton (XL5030)	CHG					
	X61361032	Carton (XL5031)	CHG					
	X61361040	Carton (XL5030: Supplied by Brother)	CHG					
	X61361022	Carton (XL5100)	CHG					
	X61383021	Carton (XL5100: Color, U.S.A.)	CHG					
	X61361026	Carton (XL5200)	CHG					
	X61383022	Carton (XL5200: Color, U.S.A.)	CHG					



XL Series
PX Series
T8060119 ①